

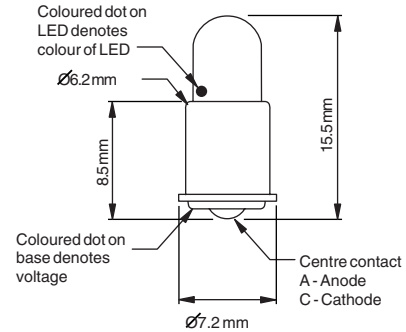
LED Bulb Replacement
Unipolar

Single Chip LED
T1¾ Midget Flanged Cap

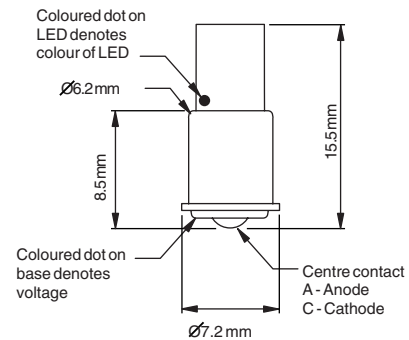
Features

- LED lens
- Replaces less reliable filament bulbs
- Reduces maintenance costs
- Cool light reduces heat dissipation
- Reduces power consumption
- Normal (30/45/60°) and wide viewing (100°) options available
- Operating temp -40 to 85°C
- Storage temp -40 to 85°C

Option 1
(30/45° viewing angle)



Option 2
(wide angle viewing 100°)



Ordering Information and Technical Characteristics

Ordering Information	Colour	Forward Voltage (V)	Current (mA)	Luminous Intensity (mcd)	Reverse Voltage (V)
ELED/1750/A/6/H/WE	White	6	17	1000	5
ELED/1750/A/6/AIGaAsRD	Red	6	17	1200	5
ELED/1750/A/6/H/AR	Amber	6	17	1000	5
ELED/1750/A/6/H/BE	Blue	6	17	1200	5
ELED/1750/A/6/H/GN	Green	6	17	1250	5
ELED/1750/A/6/H/OE	Orange	6	17	1000	5
ELED/1750/A/12/H/WE	White	12	17	1000	12
ELED/1750/A/12/AIGaAsRD	Red	12	17	1200	12
ELED/1750/A/12/H/AR	Amber	12	17	1000	12
ELED/1750/A/12/H/BE	Blue	12	17	1200	12
ELED/1750/A/12/H/GN	Green	12	17	1250	12

Continued ...

Ordering Information	Colour	Forward Voltage (V)	Current (mA)	Luminous Intensity (mcd)	Reverse Voltage (V)
ELED/1750/A/12/H/OE	Orange	12	17	1000	12
ELED/1750/A/24/H/WE	White	24	17	1000	24
ELED/1750/A/24/H/AlGaAsRD	Red	24	17	1200	24
ELED/1750/A/24/H/AR	Amber	24	17	1000	24
ELED/1750/A/24/H/BE	Blue	24	17	1200	24
ELED/1750/A/24/H/GN	Green	24	17	1250	24
ELED/1750/A/24/H/OE	Orange	24	17	1000	24
ELED/1750/A/28/H/WE	White	28	17	1000	28
ELED/1750/A/28/H/AlGaAsRD	Red	28	17	1200	28
ELED/1750/A/28/H/AR	Amber	28	17	1000	28
ELED/1750/A/28/H/BE	Blue	28	17	1200	28
ELED/1750/A/28/H/GN	Green	28	17	1250	28
ELED/1750/A/28/H/OE	Orange	28	17	1000	28

Mean time before failure 90,000 hrs

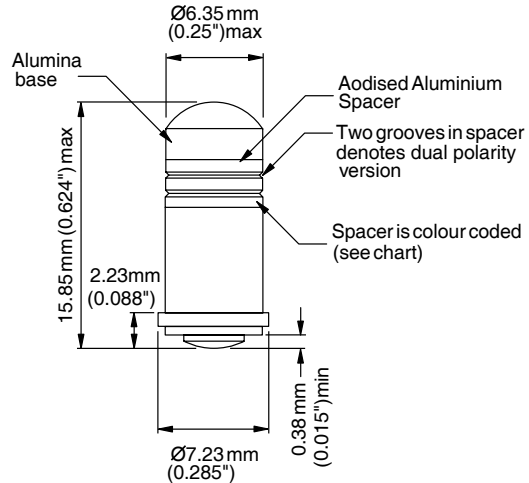
- 1) Optional centre contact cathode available by changing the letter 'A' in the part number to 'C',
- 2) Option 2 wide viewing is available denoted by 'FT' into the part number. e.g. ELED/1750/A/28/FT/H/GN
- 3) Customer specials available on request.

**LED Bulb Replacement
Bipolar**

**Multi-Chip LED
T1¾ Midget Flanged Cap**

Features

- LED lens
- Replaces unreliable filament bulbs
- Dual polarity D.C. and A.C. operation
- Multi-chip LED configuration
- 120° Viewing angle
- Operating temp -40 to 70°C
- Storage temp -40 to 70°C



ELED/1750/DMC/-

Ordering Information and Technical Characteristics

Ordering Information	Colour	Forward Voltage (V)	Current (mA)	Luminous Intensity (mcd)	Reverse Voltage (V)
ELED/1750/DMC/12/AL	AlGaAsRed	12	20	70	12
ELED/1750/DMC/12/RD	Red	12	20	40	12
ELED/1750/DMC/12/AR	Amber	12	20	30	12
ELED/1750/DMC/12/YW	Yellow	12	20	40	12
ELED/1750/DMC/12/GN	Green	12	20	70	12
ELED/1750/DMC/12/EG	Emerald GN	12	20	30	12
ELED/1750/DMC/24/AL	AlGaAsRed	24	20	70	24
ELED/1750/DMC/24/RD	Red	24	20	40	24
ELED/1750/DMC/24/AR	Amber	24	20	30	24
ELED/1750/DMC/24/YW	Yellow	24	20	40	24
ELED/1750/DMC/24/GN	Green	24	20	70	24
ELED/1750/DMC/24/EG	Emerald GN	24	20	30	24
ELED/1750/DMC/28/AL	AlGaAsRed	28	20	70	28
ELED/1750/DMC/28/RD	Red	28	20	40	28
ELED/1750/DMC/28/AR	Amber	28	20	30	28
ELED/1750/DMC/28/YW	Yellow	28	20	40	28
ELED/1750/DMC/28/GN	Green	28	20	40	28
ELED/1750/DMC/28/EG	Emerald Green	28	20	30	28

Mean time before failure 90,000 hrs

1) Customer specials available on request.

LED Bulb Replacement

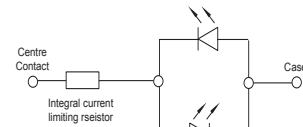
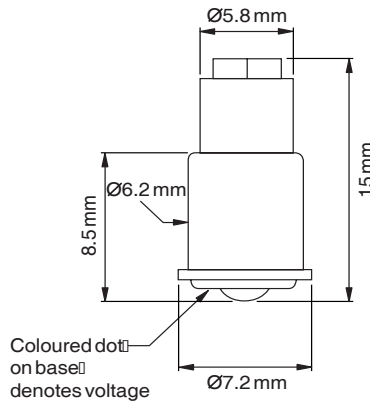
Single Chip LED

Bipolar

T1¾ Midget Flanged Cap

Features

- LED lens
- Replaces less reliable filament bulbs
- Cool light reduces heat dissipation
- Reduces power consumption
- Reduces maintenance costs
- Dual polarity options
- High Brightness
- 120° Viewing angle
- Operating temp -40 to 85°C
- Storage temp -40 to 85°C



Electrical Configuration

Ordering Information and Technical Characteristics L

Ordering Information	Colour	Forward Voltage (V)	Current (mA)	Luminous Intensity (mcd)	Reverse Voltage (V)
ELED/1750/MF/BT/6/WE	White	6	17	1000	5
ELED/1750/MF/BT/6/RD	Red	6	17	1200	5
ELED/1750/MF/BT/6/AR	Amber	6	17	1000	5
ELED/1750/MF/BT/6/YW	Yellow	6	17	1000	5
ELED/1750/MF/BT/6/GN	Green	6	17	1250	5
ELED/1750/MF/BT/6/BE	Blue	6	17	1200	5
ELED/1750/MF/BT/12/WE	White	12	17	1000	12
ELED/1750/MF/BT/12/RD	Red	12	17	1200	12
ELED/1750/MF/BT/12/AR	Amber	12	17	1000	12
ELED/1750/MF/BT/12/YW	Yellow	12	17	1000	12
ELED/1750/MF/BT/12/GN	Green	12	17	1250	12
ELED/1750/MF/BT/12/BE	Blue	12	17	1200	12
ELED/1750/MF/BT/24/WE	White	24	17	1000	24
ELED/1750/MF/BT/24/RD	Red	24	17	1200	24
ELED/1750/MF/BT/24/AR	Amber	24	17	1000	24
ELED/1750/MF/BT/24/YW	Yellow	24	17	1200	24
ELED/1750/MF/BT/24/GN	Green	24	17	1250	24
ELED/1750/MF/BT/24/BE	Blue	24	17	1200	24
ELED/1750/MF/BT/28/WE	White	28	17	1000	28
ELED/1750/MF/BT/28/RD	Red	28	17	1200	28
ELED/1750/MF/BT/28/AR	Amber	28	17	1000	28
ELED/1750/MF/BT/28/YW	Yellow	28	17	1000	28
ELED/1750/MF/BT/28/GN	Green	28	17	1250	28
ELED/1750/MF/BT/28/BE	Blue	28	17	1200	28

Mean time before failure 90,000 hrs

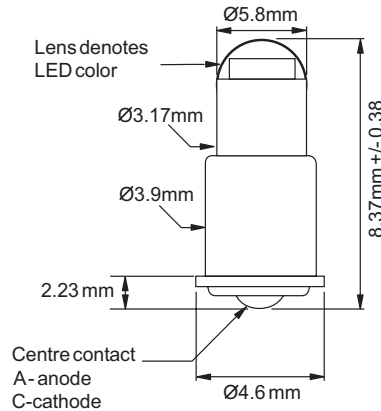
1) Customer specials available on request.

LED Bulb Replacement
Unipolar

Single Chip LED
T1 Midget Flanged Cap

Features

- Replaces less reliable filament bulbs
- Cool light reduces heat dissipation
- Reduces power consumption
- Reduces maintenance costs
- 180° Viewing angle
- Excellent off-axis viewing
- Meets MIL-DTL-6363H/6363/6A
- Coloured polymer lens
- Operating temp -40 to 85°C
- Storage temp -40 to 85°C



Ordering Information and Technical Characteristics

Ordering Information	Colour	Current (mA)	Luminous Intensity (mcd)	Dominant Wavelength
ELED/682/1/-/-WE	White	17	40	See note
ELED/682/1/-/-RD	Red	17	50	660
ELED/682/1/-/-YW	Yellow	17	45	585
ELED/682/1/-/-GN	Green	17	45	525
ELED/682/1/-/-BE	Blue	17	40	475

Mean time before failure 40,000 hrs

Ordering information:

When ordering please state type number, specifying polarity, voltage, and colour

E L E D / 6 8 2 / 1 / A / 2 8 / R D

Centre _____
 A - anode _____
 C - cathode _____

Voltage _____
 5,6,12,15,24,28

LED Colour _____
 RD, YW, BE, WE, GN

Note: White chromaticity co-ordinates x=0.28, y=0.28